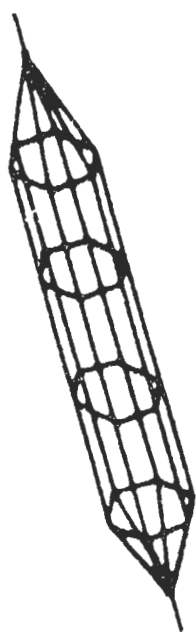
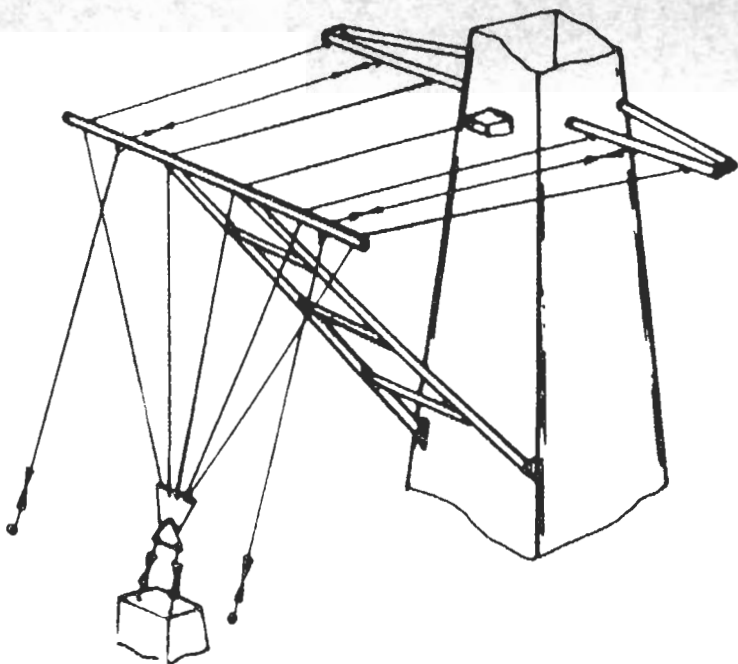


MF WIRE

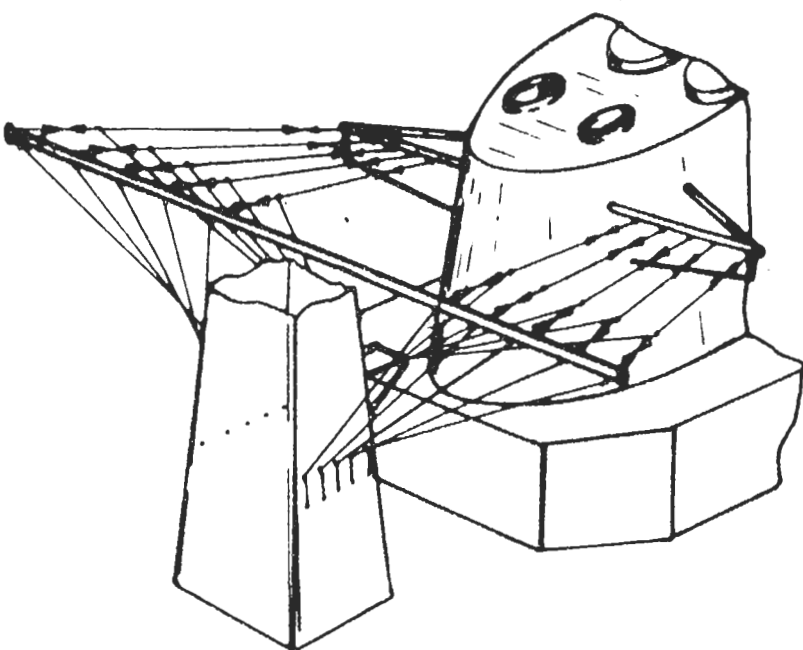


MF CAGE

TYPICAL MF WIRE AERIALS



FOLDED MONOPOLE



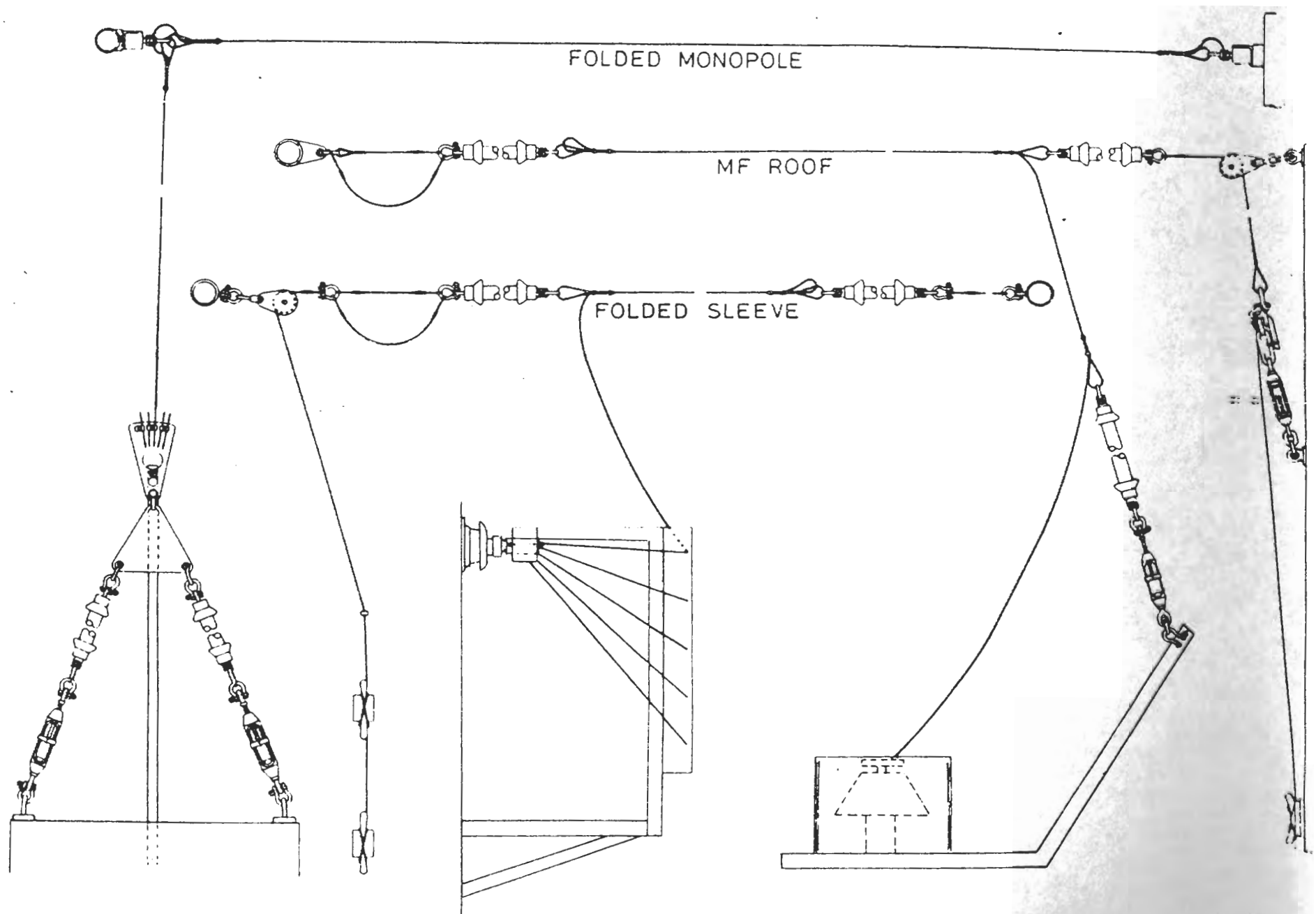
FOLDED SLEEVE

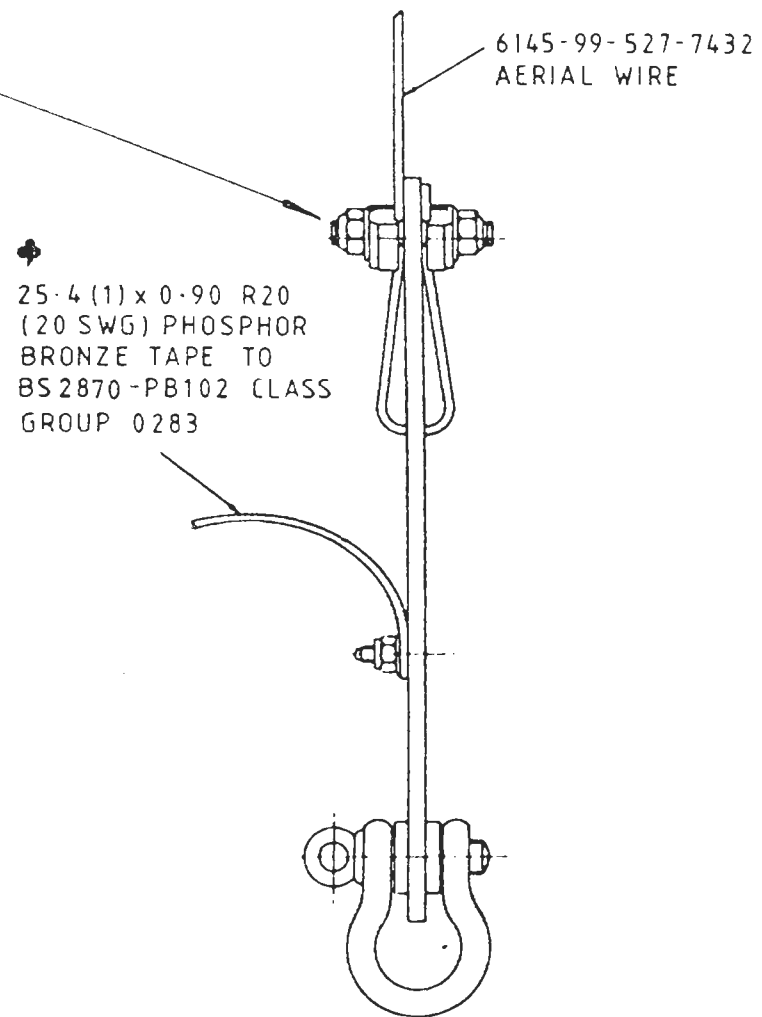
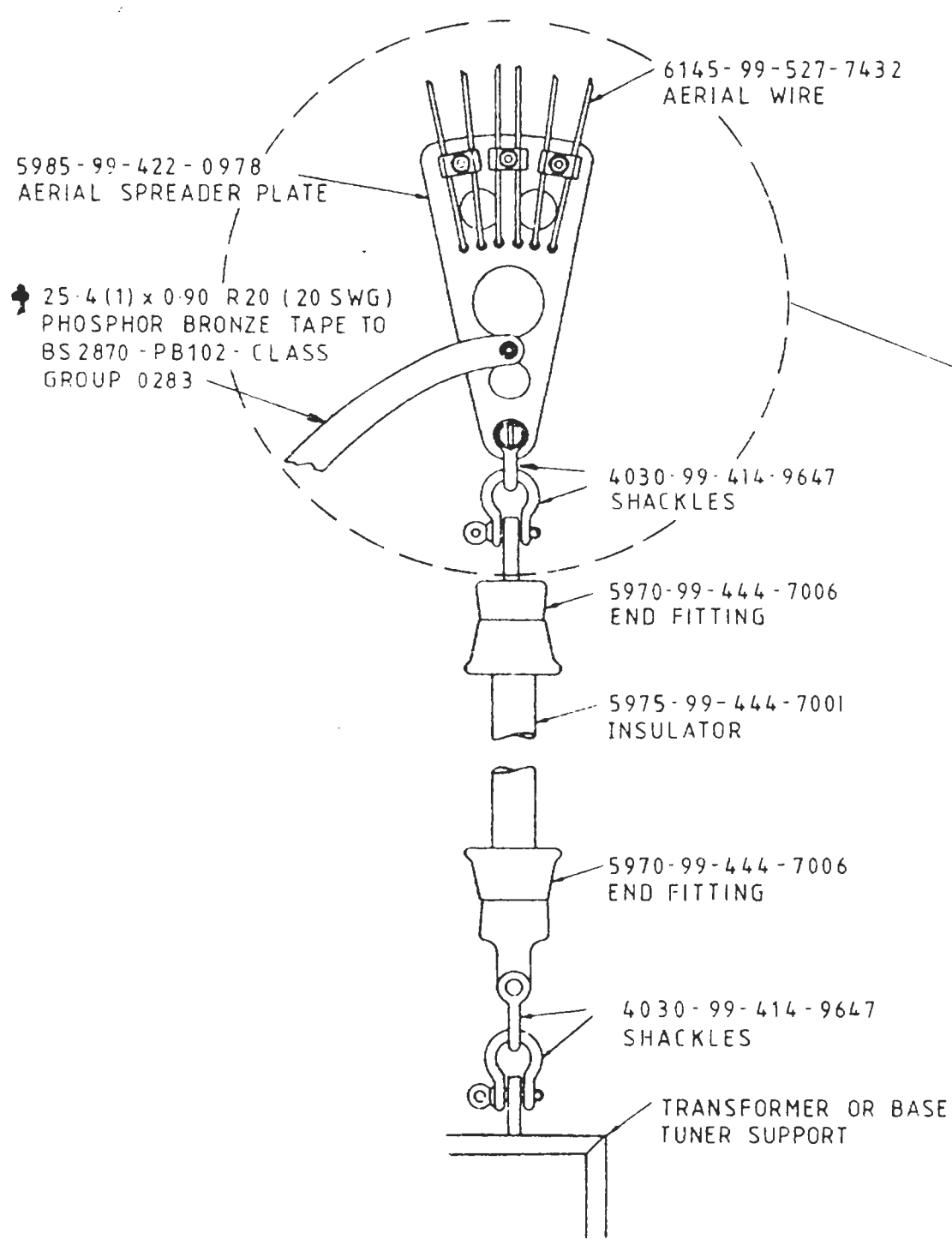
TYPICAL HF WIRE AERIALS

FOLDED MONOPOLE

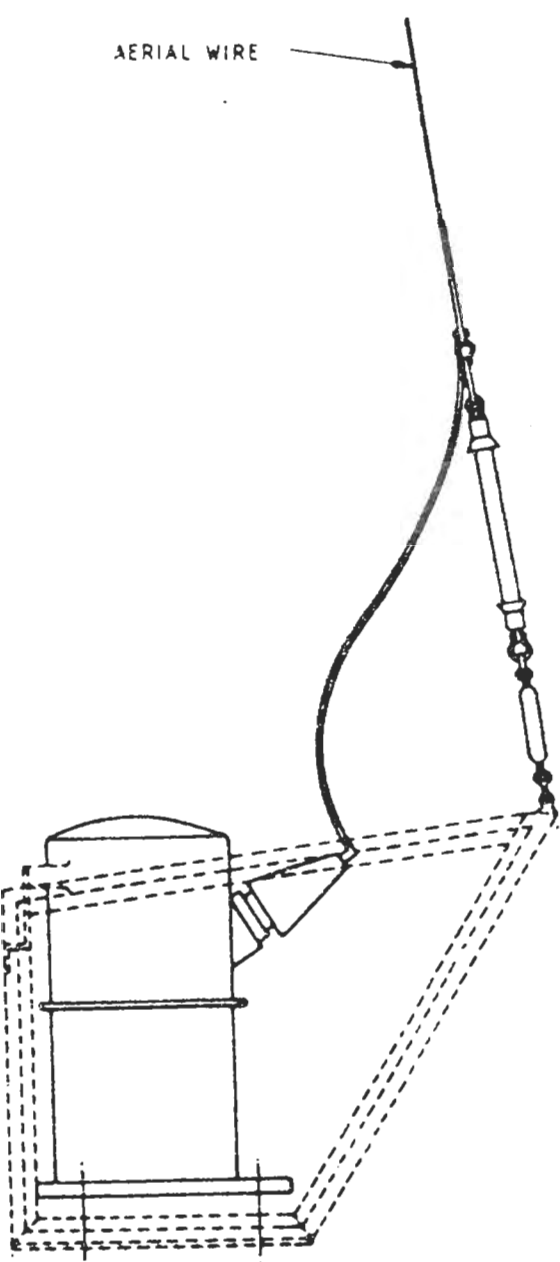
MF ROOF

FOLDED SLEEVE

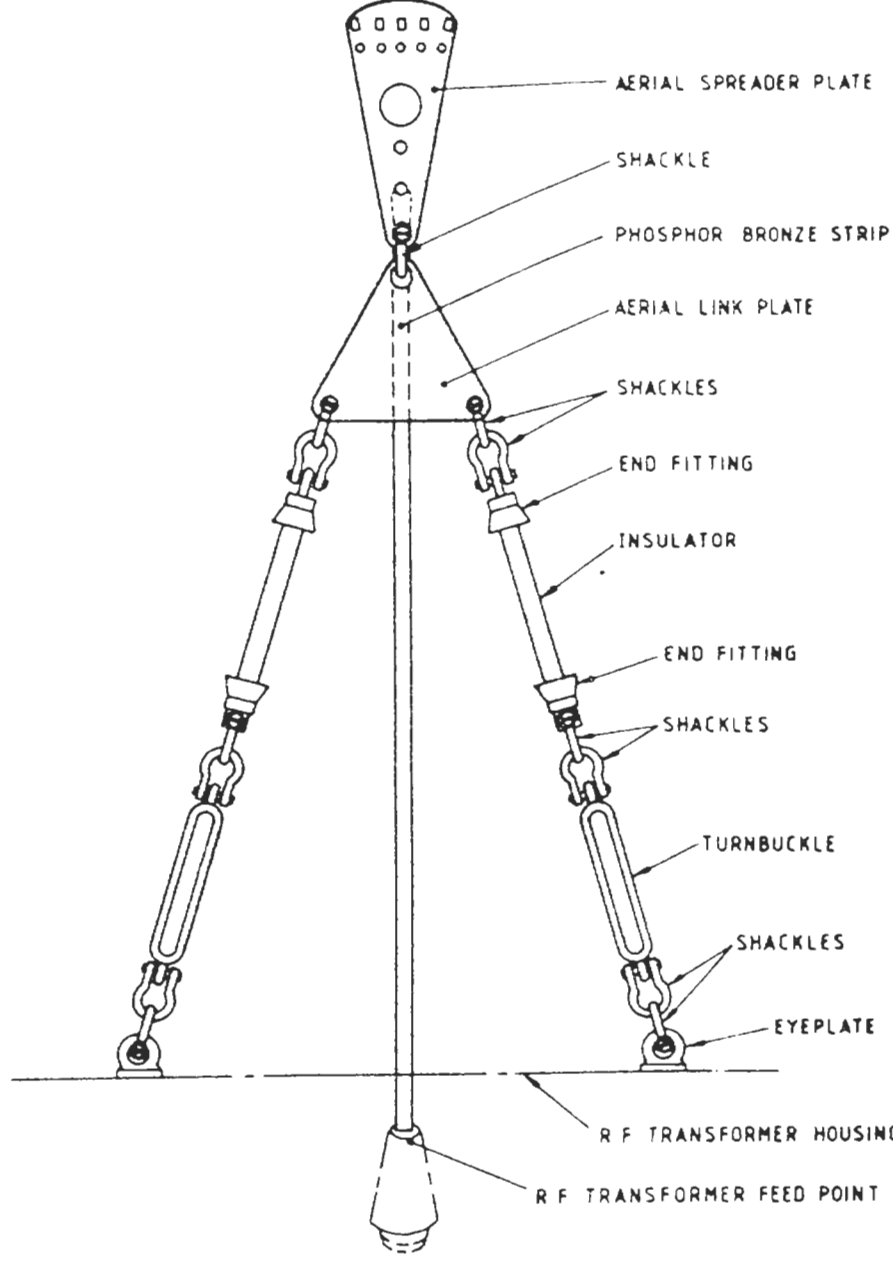




SIDE ELEVATION
5985-99-422-0978
AERIAL SPREADER PLATE



AERIAL WIRE



AERIAL SPREADER PLATE

SHACKLE

PHOSPHOR BRONZE STRIP

AERIAL LINK PLATE

SHACKLES

END FITTING

INSULATOR

END FITTING

SHACKLES

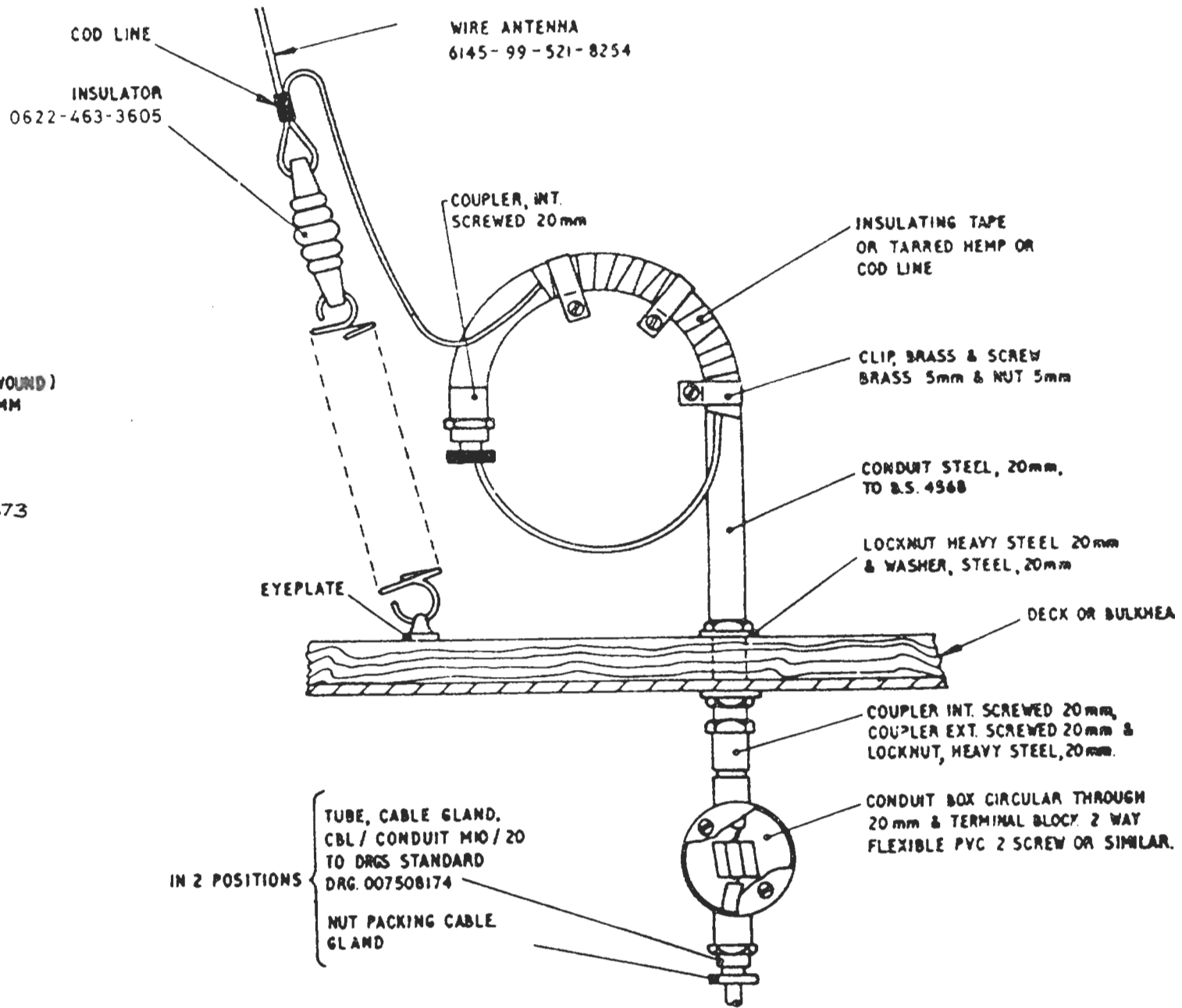
TURNBUCKLE

SHACKLES

EYEPLATE

R F TRANSFORMER HOUSING

R F TRANSFORMER FEED POINT



DETAILS OF SPRING:-
 MEAN DIA. OF COIL 38 mm
 DIA. OF WIRE 4 mm
 No. OF FREE COILS 18 (CLOSE WOUND)
 RATE 147.9 GRM / MM
 FREE LENGTH (MAX.) 280.7 mm.
 COMPRESSED LENGTH 175.2 mm
 SPRING TO EXTEND BY... 92 mm
 UNDER LOAD OF..... 13.6 Kg.
 MATERIAL: PHOS. BRONZE TO 852873

SWAN NECK AERIAL LEAD IN

Figure 18